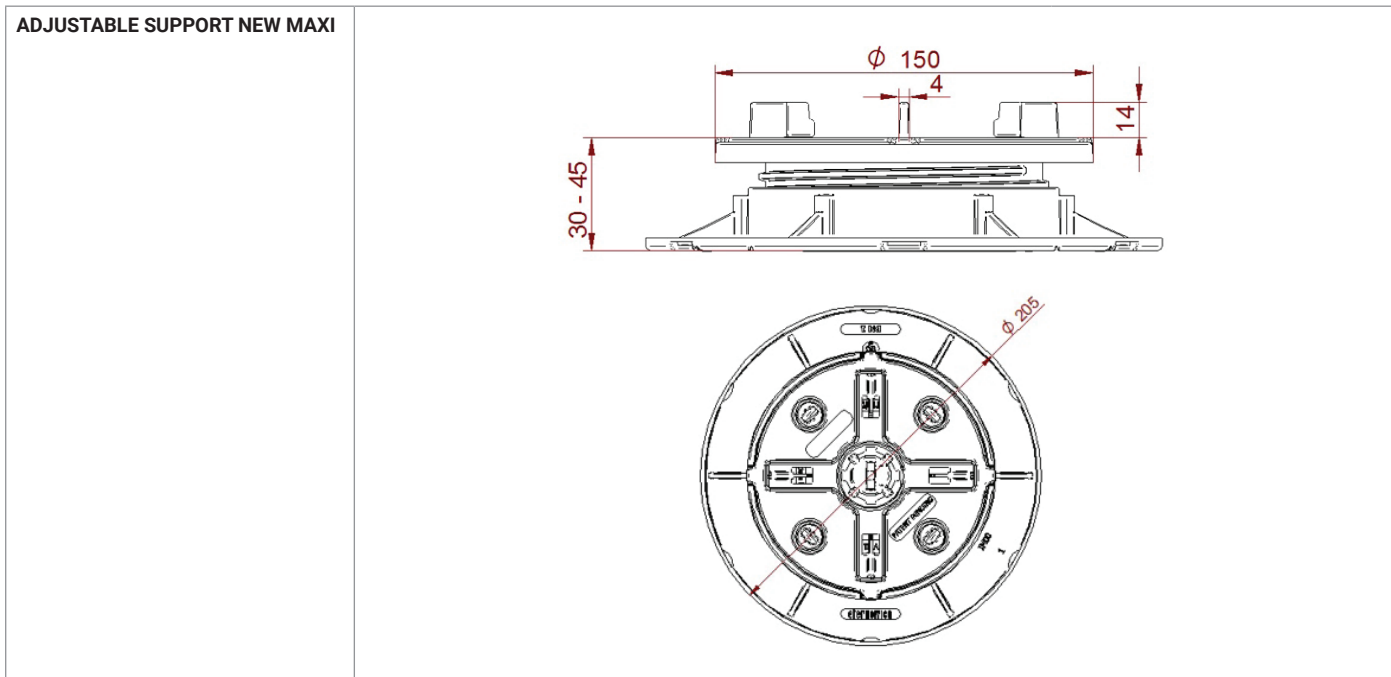


# NM W 1

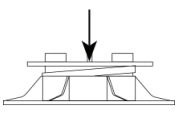
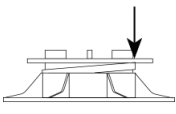
|                  |        |            |
|------------------|--------|------------|
| CODE: E01403004* | REV 01 | 19/11/2018 |
|------------------|--------|------------|



|                           |   |
|---------------------------|---|
| <b>ITEM SPECIFICATION</b> | <p>“New Maxi Windproof” support for raised floors, adjustable in height and provided with a bi-component head with anti noise and non slip rubber finishes.</p> <p>The supports feature a polypropylene cylindrical base element with a minimum diameter of 205 mm, an intermediate screw with a security lock system and an adjustable height that ranges from 30 mm to 45 mm, and a top head element with four 14 mm high and 4 mm thick pre-cut spacer tabs for easy removal.</p> <p>The base element features water drainage holes and 4 pre-cut lines to facilitate any cutting if required. Adjustment in height is made with the exclusive regulation key which acts on the screw independently from both the head and the base.</p> |
|---------------------------|---|

|                             |  |
|-----------------------------|--|
| <b>PRODUCT RANGE</b>        | <b>PEDESTAL</b>  |
| <b>PRODUCT NAME</b>         | NM1  |
| <b>TECHNICAL FEATURES</b>   | <ul style="list-style-type: none"> <li>Adjustable in height. Bi-component material head (PP and rubber)</li> <li>Regulation key for height adjustment</li> <li>Easy removable tabs</li> <li>Security lock system to prevent unlocking</li> </ul> |
| <b>RAW MATERIAL</b>         | Polypropylene and rubber (head top finishing)  |
| <b>ENVIRONMENTAL IMPACT</b> | Recyclable material – non dangerous  |
| <b>APPLICATIONS SURFACE</b> | On any waterproofing membrane, insulating panel or compact and solid surface   |
| <b>APPLICATIONS AREA</b>    | Usable with any prefabricated self sustaining element for exterior flooring with minimum 15 mm thickness   |

| CHARACTERISTICS            | UNIT | VALUE | TOLERANCE  |
|----------------------------|------|-------|------------|
| BASE DIAMETER              | mm   | 205   | +/- mm 1,0 |
| BASE THICKNESS             | mm   | 2     | +/- mm 0,2 |
| HEAD DIAMETER              | mm   | 150   | +/- mm 0,8 |
| LAYING SURFACE OF THE BASE | cmq  | 330   | +/- mm 0,2 |
| MINIMUM HEIGHT             | mm   | 30    | +/- mm 1,0 |
| MAXIMUM HEIGHT             | mm   | 45    | +/- mm 1,5 |
| SPACER TABS THICKNESS      | mm   | 4     | +/- mm 0,2 |
| SPACER TABS HEIGHT         | mm   | 14    | +/- mm 0,2 |
| WEIGHT                     | kg   | 0.097 | +/- 5 %    |

| TECHNICAL PROPERTIES  |   | UNIT    | VALUE     |
|---|---|---------|-----------|
| CENTRAL COMPRESSION LOADING LIMIT RESISTANCE*<br>(calculated at medium height, between minimum and maximum extension)   |  | KN      | 31        |
| ECCENTRIC COMPRESSION LOADING LIMIT RESISTANCE*<br>(calculated at medium height, between minimum and maximum extension)   |  | KN      | 15        |
| RESISTANCE TO WIND DEPRESSION<br>(calculated simulating a laying floor)   |   | Pa      | 700       |
| <b>HARDNESS</b><br>*Tests made by Civil. Construction and Environmental Department of University of Padova. 1 KN = 98,6 Kg<br>**Tests made by Giordano S.p.A. Institute of Bellaria-Igea Marina (RN)-Italy 1Pa ≈ 1kg/m2 |   | Shore D | 70 (+/-3) |

| PHYSICAL AND CHEMICAL PROPERTIES   | METHOD              | UNIT  | VALUE |
|--|---------------------|-------|-------|
| REACTION TO FIRE*  | UNI EN 13501-1:2009 | CLASS | E     |
| RESISTANCE TO LOW TEMPERATURE<br>*Tests made by Giordano S.p.A. Institute of Bellaria-Igea Marina (RN)-Italy |                     |       | -40°  |

|                              |   |
|------------------------------|---|
| <b>LAYING OF THE PRODUCT</b> | The product is simply laid on the substrate of choice, with no need of any glue or fixing |
|------------------------------|---|

The above data are relevant to current production and may be changed or updated by Eterno Ivica at any time without notice. Given the many possible uses and the possible interference of external elements, we do not assume responsibility for the results. The buyer is required to establish under their own responsibility the suitability of the product for the intended use. This document is property of Eterno Ivica. All rights reserved.