

KEKSIÄ

TECHNICAL DATA SHEET



PEDESTAL



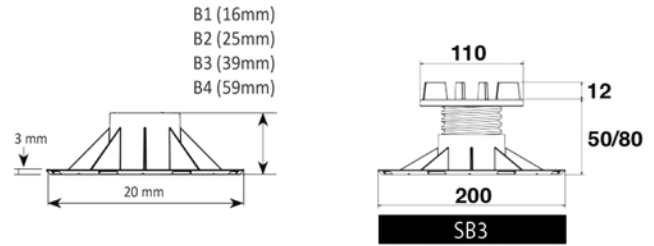
SB 3

CODE
E015450080

REV 00
27.06.2013



ADJUSTABLE PAVING SUPPORT BASIC



ITEM SPECIFICATION

"Basic" type pedestal for raised floors with adjustable height from 50mm to 80mm. Pedestals are composed by a cylindrical base element of 205 mm diameter for resting on the laying surface and by an intermediate screw with head element with 4 tabs of h.12 mm in 4 mm thickness. Base is provided of holes for water drainage and of 4 precut lines to facilitate any cutting of the base in case of need.

PRODUCT RANGE

PEDESTAL

PRODUCT NAME

SB 3

CHARACTERISTICS

regulation in highness

RAW MATERIAL

Polypropylene

ENVIRONMENTAL IMPACT

recyclable material - non dangerous

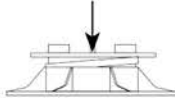

APPLICATIONS SURFACES

On any waterproofing membrane, or any insulating panel or any compact and solid surface

APPLICATIONS AREA

Usable with any prefabricated self sustaining element for exterior flooring

CHARACTERISTICS	UNIT	VALUE	TOLERANCE
BASE DIAMETER	mm	195	+/- mm 1,0
BASE THICKNESS	mm	3	+/- mm 0,2
HEAD DIAMETER	mm	110	+/- mm 0,8
LAYING SURFACE OF THE BASE	cmq	298	+/- cmq 5
MINIMUM HEIGHNESS	mm	50	+/- mm 1,0
MAXIMUM HEIGHNESS	mm	80	+/- mm 1,5
TABS THICKNESS	mm	4	+/- mm 0,2
TABS HIGHNESS	mm	12	+/- mm 0,2
WEIGHT	kg	0,206	+/- 5 %

TECHNICAL PROPERTIES		UNIT	VALUE
CENTRAL COMPRESSION LOADING LIMIT RESISTANCE* <small>(calculated at medium height, between minimum and maximum extension)</small>		KN	21,31
ECCENTRIC COMPRESSION LOADING LIMIT RESISTANCE* <small>(calculated at medium height, between minimum and maximum extension)</small>		KN	12,23
SLOPE CORRECTION		%	0 - 5
SHORE		Shore d	70 (+/- 3)

*Tests made by Civil and Environmental Department of University of Padova. 1 KN = 98,6 Kg

PHYSICAL PROPERTIES	METHOD	UNIT	VALUE
FIRE REACTION*	UNI EN 13501-1:2009	class	E
LOW TEMPERATURES REACTION			-40°

*Tests made by Giordano S.p.A. Institute of Bellaria-Igea Marina (RN)-Italy

PACKAGING AND STORAGE			
PIECES PER BOX			35
PIECES PER PALLET			30
BOX DIMENSION			cm 40x40x42
BOX WEIGHT			kg 8
PALLET DIMENSION			cm 80 x 120

The packing of the supports is made of boxes. The final pallets are wrapped with a polyethylene film. We recommend to store indoor, pallets to be protected from the rain.

LAYING OF THE PRODUCT	
	The product is simply laid on the laying area, with no need of any glue or fixing

The above data are relevant to current production and may be changed or updated by Eterno Ivica at any time without notice.

Given the many possible uses and the possible interference of external elements, we do not assume responsibility for the results. The buyer is required to establish under their own responsibility the suitability of the product for the intended use. This document is property of Eterno Ivica. All rights reserved.

