

Expansion and Contraction Values

Length (Meters) \ Installation Temperature (°C)										
	1	2.44	2.8	3	3.66	3.9	4	4.88	5.4	
10	1.2	3.9	4.5	4.8	5.9	6.2	6.4	7.8	8.6	Gap
15	1.4	3.4	3.9	4.2	5.1	5.5	5.6	6.8	7.6	
20	1.2	2.9	3.4	3.6	4.4	4.7	4.8	5.9	6.5	
25	1	2.4	2.8	3	3.7	3.9	4	4.9	5.4	
30	0.8	2	2.2	2.4	2.9	3.1	3.2	3.9	4.3	
35	0.6	1.5	1.7	1.8	2.2	2.3	2.4	2.9	3.2	
40	0.4	1	1.1	1.2	1.5	1.6	1.6	2	2.2	
45	0.2	0.5	0.6	0.6	0.7	0.8	0.8	1	1.1	

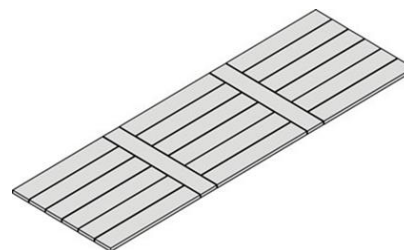
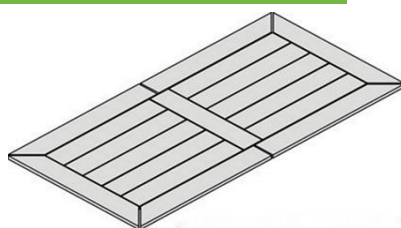
Note: We recommend acclimatizing the boards at least 2 days prior to installation to avoid potential unwanted contraction issues that may arise during or after installation. When acclimatizing the boards, it is important to lay them on an even and flat surface to avoid the possibility, in some environments, of the boards warping to the shape of the terrain.

Maximum Decking Spans on Centre-to-Centre			
Profile	Dimensions	Residential Span	Commercial Span
UH02, Grooved Hollow Board	138 x 22.5 mm	350 mm	N/A
US07, Solid Square Edge Board	138 x 22.5 mm	400 mm	350 mm
US49, Grooved Solid Board	138 x 25 mm	450 mm	350 mm
US48, Solid Square Edge Board	138 x 25 mm	450 mm	350 mm

** Please be aware that board widths may vary + or - 2mm.

Joist Spanning on Centre-to-Centre with Angled Decking Installations	
Degree of Angle	Spacing
90	Refer to the above tables
60	50 mm less than the stated above tables
45	100 mm less than the stated above tables
30	½ the distance stated in the above tables

Recommended Decking Layouts



Note: Our Metal Fix screws are suitable for steel joists of up to 2mm in thickness. If thicker than 2mm, then you must pre-drill each hole. (Cobra metal fix clips are not warranted for fixing to Stratco Probeam or similar double-wall steel profiles.)

NEWTECHWOOD TC-16 CLIP INSTALLATION GUIDE



Newtechwood Clip Installation - Parts

PLEASE NOTE: This TC-16 Clip Installation Guide does NOT replace the full NewTechWood Decking Installation Guide, downloadable from newtechwood.com.au/technical-info.



TC-16 Hidden Fasteners



K37 Start/End Fastener



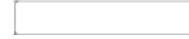
MG3 Clip



Solid Grooved – 138 x 25 mm



Fascia – 138 x 15 mm

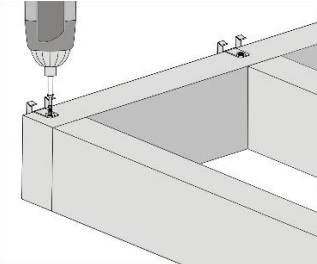


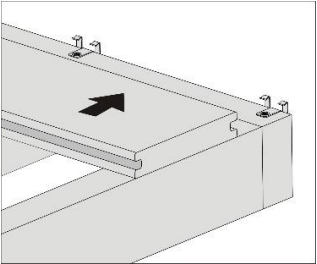
Solid – 138 x 25 mm

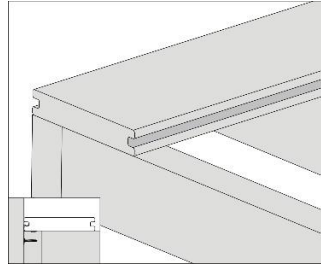


Hollow Grooved – 138 x 22.5 mm

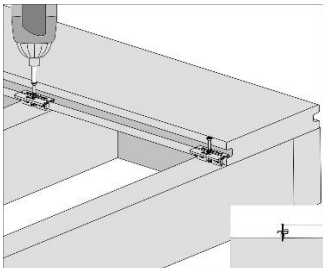
Installing Starting Clips & the First

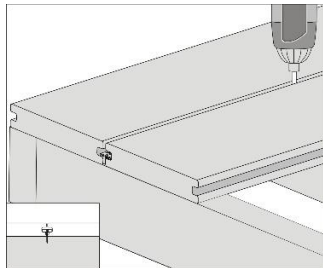
1. 
Install the K37/MG3 starting clips – centred at the edge of each.

2. 
Take the grooved board and push it into the starting clips.

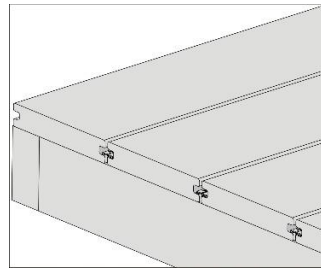
2b. 
First board installed.

Installing Hidden Fasteners

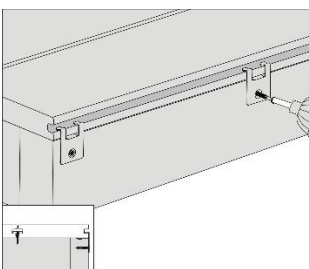
3. 
Insert the **TC-16** hidden fastener clips into the grooved edge of the deck board (all clips need to be installed in the same direction, i.e. the teeth of the clip are facing the same way.)

4. 
Ensure the screw hole is aligned with the centre of each joist.

5. Screw half way down – **DO NOT fully tighten the hidden fastener clips.**

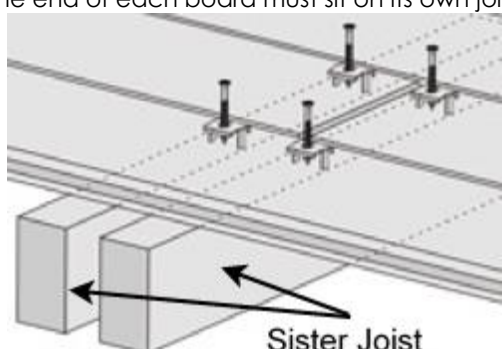
6. 
Slide the second board into the hidden fastener. Finish screwing down the hidden fastener clips on the previous board. **DO NOT fully tighten the hidden fastener clips – the screw should be flush with the top of the fastener when fixed properly.**

Repeat steps 3-6 to finish installing the remaining boards,

7. 
For the final board use the start/end fasteners and screw the fastener in from the side to fix the last board in place.

8. 
Finally, install the fascia using two composite screws – every 400mm centre to centre. **Fascia boards always need to be pre-drilled and countersunk before they can be face fixed.**

All fasteners should be on their own independent joists, when two boards ends meet each other there must be a sister joist. The end of each board must sit on its own joist.



Sister Joist

DISTRIBUTED BY:

